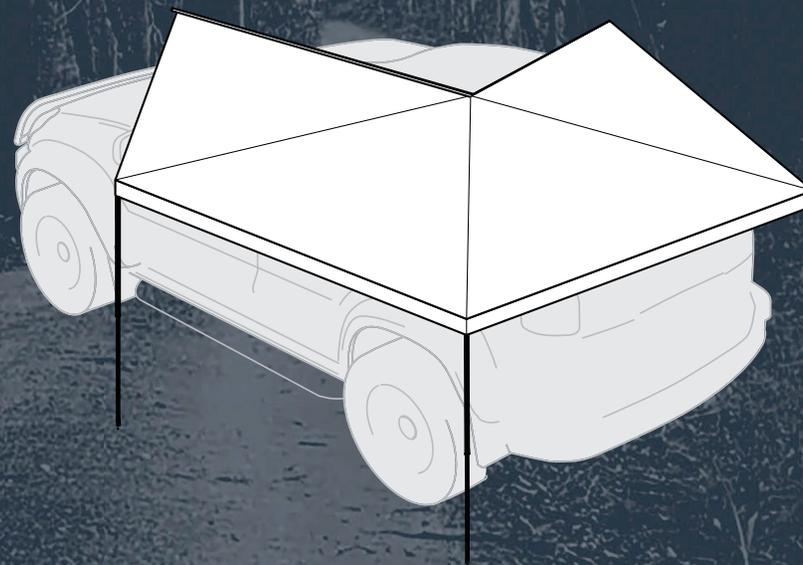




270° AWNING

USER MANUAL



PLU: 664970
CODE: FC-270A4
Manufactured and packaged for
SRGS PTY LTD
ABN 23 113 230 050
6 Coulthards Avenue
Strathpine QLD 4500, Australia
MADE IN CHINA



PLU: 664970

+ Features

270°AWNING

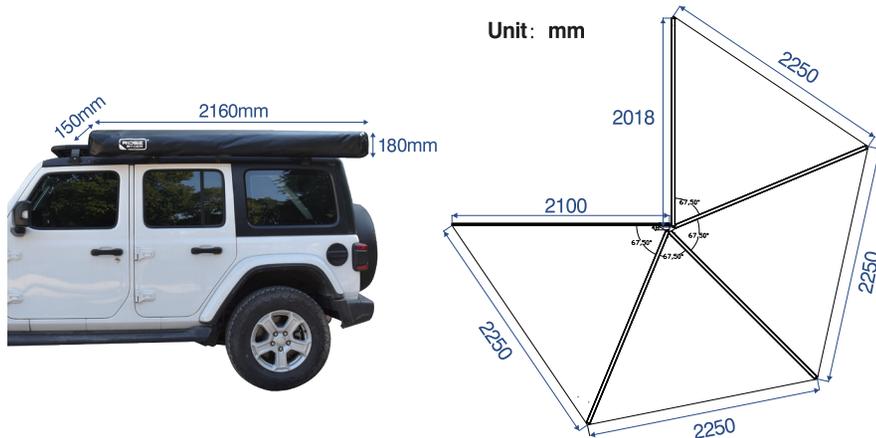
Congratulations on your purchase of the Awning. Your awning is designed to be mounted directly to your roof rack or aftermarket roof bars and fully setup in just a few minutes.

WARNING

Incorrect installation or use of your awning could result in serious injury or death. Please follow these installation instructions carefully to ensure proper installation on your vehicle.

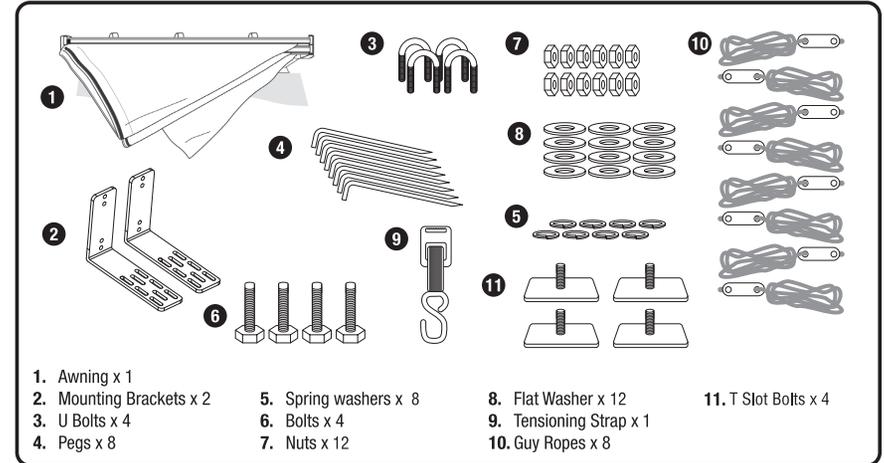
It is recommended that you contact your vehicle or accessory manufacturer for specified loading capacity of your roof rack. It is also recommended you check your loading capacity of the roof of your vehicle through your vehicle manufacturer. Accessory inclusions, such as awnings can change the normal vehicle handling & the manufacturer disclaims all responsibility in case of accidents due to improper use, installation or maintenance when it comes to the awning. It is recommended that the awning is installed by an experienced after market installer.

Inspections: it is recommended that you regularly check all nuts and bolts related to the mounting system of your awning that they are tight and in good working order on rough and corrugated terrain will require more regular inspection. **Structural Integrity:** The Awning is self supporting during set up only and is designed for general camping under normal conditions and is recommended that the supplied guy ropes are used to provide additional support at the end of each arm. To avoid the chance of damage or injury it is recommended that the awning should not be erected during windy conditions. Damage caused by incorrect installation or adverse weather conditions will not be covered by warranty



1

+ Parts



Locating 270° Awning on your Vehicle

It is recommended that the awning is assembled and installed by two (2) persons. It is also recommended the awning is fitted by an experienced after market installer.

The awning brackets supplied have been designed for fit the most common configurations of roof racks and rail systems, however due to the ever-increasing variations being offered by vehicle and accessory manufacturers it cannot be 100% guaranteed that these will fit all available options.

It is recommended that you speak to your roof rack specialist for further advice or recommendations on the best system for your requirements.

Ensure you follow the recommendations of the roof rack manufacturers installation and fitting instructions prior to installing the awning to your vehicle.

2

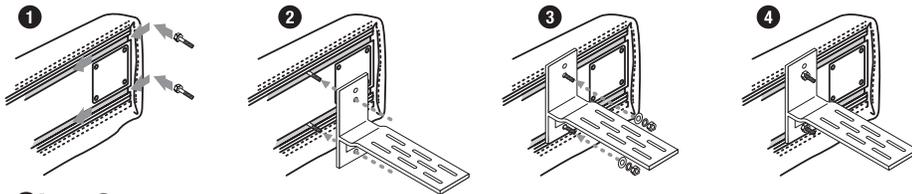
+ Attaching the awning to your vehicle

Step 1:

Detach the PVC cover at each end of the awning and insert the bolts into the backing plate and reattach the end covers.

Step 2:

Position and attach the brackets in the required position using the Nylock nuts and washers then tighten.



Step 3:

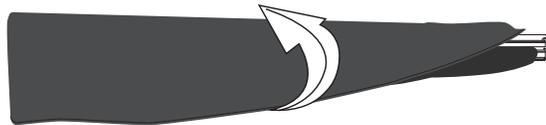
Mount to the vehicle using the U Bolts, Nylock nuts & Washers.

IMPORTANT!
ENSURE THE UNSUPPORTED ENDS OF THE AWNING DO NOT EXCEED 250MM. PROLONGED TRAVELLING ON UNEVEN ROUGH OR CORRUGATED TERRAIN WILL REQUIRE MORE FREQUENT INSPECTIONS.

+ Assembly

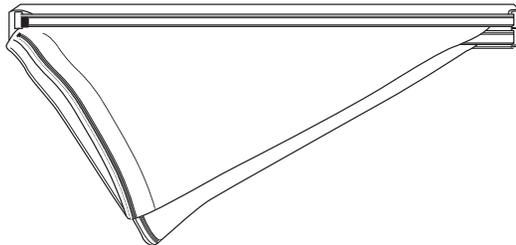
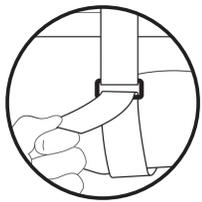
Step 1:

Unzip the protective cover and fold back from the awning.



Step 2:

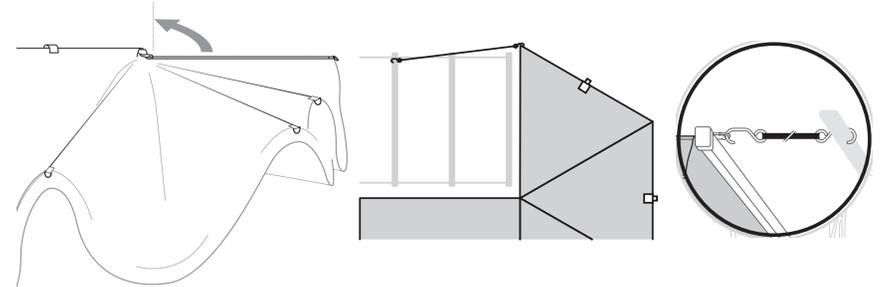
Undo the two supporting straps and release the fabric, take note of how the fabric is layered to assist with pack up.



3

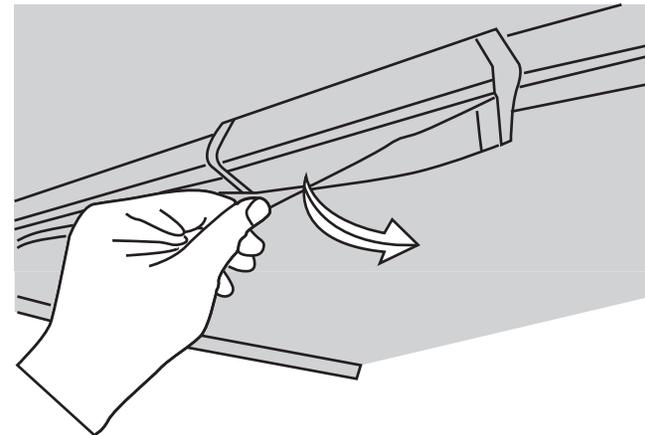
Step 3:

Swing the arms away from the awning until the fabric is fully extended towards the front & rear of the vehicle, use the Tensioning strap to secure the awning in position at the front & rear of the vehicle.



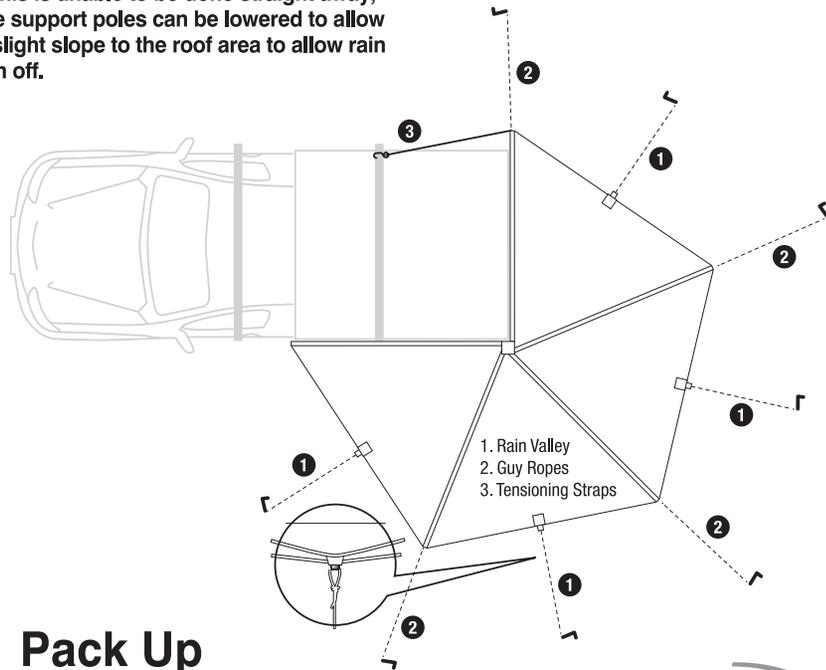
Step 4:

Each support leg is fastened into the channel in the roof. Undo the strap securing the legs and drop to a vertical position. The legs can be height adjusted and secured in place by twisting the pole. Ensure you secure with guy ropes.



4

In the event of rain, it is recommended the awning be stowed away and not left up. If this is unable to be done straight away, the support poles can be lowered to allow a slight slope to the roof area to allow rain run off.



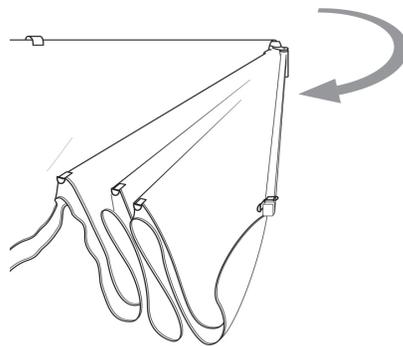
+ Pack Up

Step 1:

Step 1: Release and remove all guy ropes, pegs and return the support poles to the roof frame.

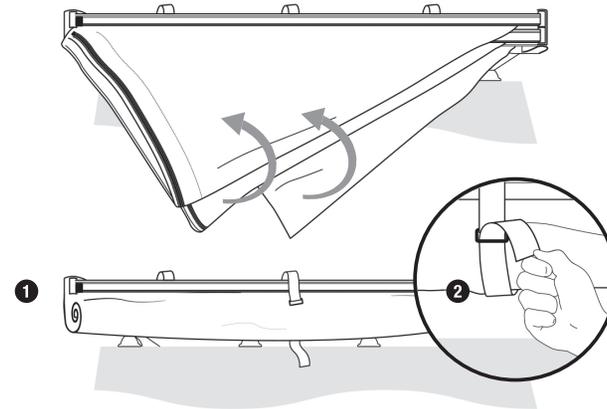
Step 2:

Release the tensioning strap and fold each arm towards the awning board, checking that all fabric is falling towards the ground and is not bunching up.



Step 3:

The fabric should now be draped in a triangle shape, grab the fabric at the point of the triangle and role towards the top of the awning then secure with the straps. Position the PVC cover over the fabric and zip up.





Cleaning

Clean with cold water and a soft bristle brush. Do not use soap, detergents, bleach or solvents. Do not expose to petrol, diesel, oils or chemicals of any nature.

Storing

Correct storage is vital for the longevity of your awning. If on occasion the awning is required to be stored wet, it is essential it is unpacked and dried as soon as possible. Water damage, mildew damage and incorrect storage is not covered under warranty.

Structural Integrity

The awning has been designed for general camping use under normal conditions. Always ensure all rafters are supported by leg poles provided and all guy ropes are anchored correctly. It may be necessary to re-adjust guy ropes and pegs at times to maintain the structural integrity of the awning.

IMPORTANT!

ALWAYS PEG DOWN AND SECURE YOUR AWNING AND ENSURE SIDE WALLS SECURED WITH GUY ROPES.

IT'S CRUCIAL TO DO THIS ANY TIME YOU HAVE THE AWNING UP TO MINIMIZE THE IMPACT OF UNEXPECTED WIND GUSTS. DO NOT USE IN VERY WINDY OR RAINY WEATHER. WIND AND RAIN CAN DAMAGE THE AWNING AND SIDE WALLS AND MAY ALSO RESULT IN INJURY TO YOU OR OTHERS. PLEASE TAKE A MINUTE TO TAKE DOWN THE AWNING AND SIDE WALLS BEFORE EXTREME WEATHER EVENTS. THE AWNING IS DESIGNED AS A TEMPORARY SHELTER, NOT A PERMANENT STRUCTURE. DO NOT LEAVE UP FOR EXTENDED PERIODS AND DO NOT LEAVE UNATTENDED.

Vehicle Fitting

It is recommended using an experienced aftermarket 4x4 accessories fitter to mount the awning to your vehicle. Fasteners and fixing connections should be checked regularly on both the awning and roof rack to ensure the awning is always mounted securely to your vehicle roof rack.

Prolonged travelling on uneven rough or corrugated terrain will require more frequent inspections.

IMPORTANT!

ENSURE THE UNSUPPORTED ENDS OF THE AWNING DO NOT EXCEED 250MM.

Awning brackets have been designed to fit most common roof rack configurations. However, with the ever increasing number of roof rack designs now available it is difficult to supply a mounting bracket to accommodate all.

If in doubt please contact your roof rack specialist for specific roof rack mounting options and advice on load capacities.

Weather Resistance

This product is designed to resist water through careful selection of materials, use of water repellent coatings and seam sealing. However in very heavy weather conditions seams can still experience some leakage. You can purchase waterproofing products through camping retailers. Please follow recommendations of use from the manufacturer.



WARRANTY

Our product is guaranteed to be free from quality and manufacturing defects for a period of 12 months.

If your product becomes defective during this period, SRGS PTY LTD will offer you either a replacement, credit or refund where a product is faulty; wrongly described; different from the sample shown to you or do not do what they are supposed to do.

This warranty will not cover substantially modified product; misuse or abuse of the product contrary to user instructions or packaging label; change of mind and normal wear and tear.

Our goods come with guarantees that cannot be excluded under the Australian Consumer Law. You are entitled to a replacement or refund for a major failure and for compensation for any other reasonably foreseeable loss or damage. You are also entitled to have the goods repaired or replaced if the goods fail to be of acceptable quality and failure does not amount to a major failure.

To claim the warranty, take the product to the front Service Desk of your nearest store of purchase. You will need to show receipt or other proof of purchase. Additional information may be required to process your claim. Should you not be able to provide proof of purchase with a receipt or bank statement, identification showing name, address and signature may be required to process your claim.

Any expenses relating to the return of your product to the store will normally have to be paid by you. For online store purchases, SRGS PTY LTD will pay for the return freight for any product assessed as having a major failure.

The benefits to the customer given by this warranty are in addition to other rights and remedies of the Australian Consumer Law in relation to the goods or services to which this warranty relates.

This warranty is provided by SRGS PTY LTD, 6 Coulthards Avenue, Strathpine, QLD 4500, Australia. Phone: 1300 175 010.